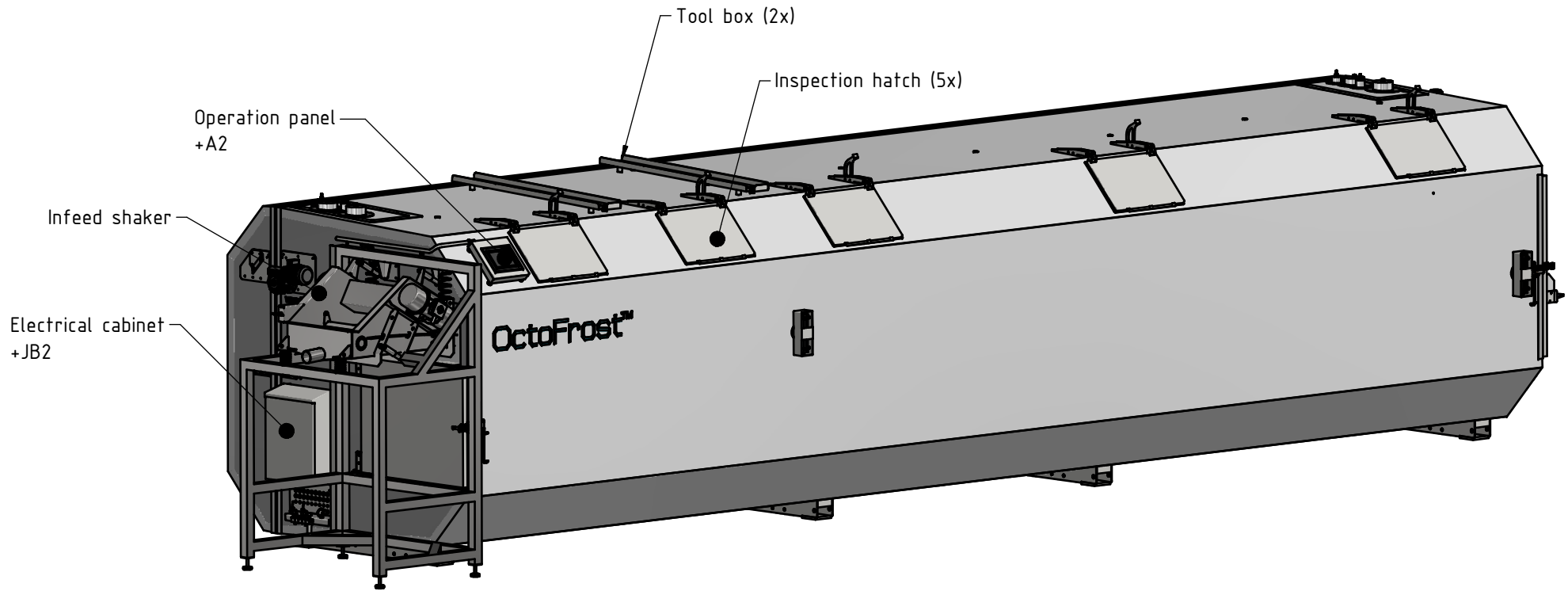


This drawing is our "IQF Frost AB" property and must not without our permission be copied or made available to others. The receiver is responsible for every misuse.



Effect reqirment:

Fan 11 x 15 kW = 165 + 3 = 168 kW
 3 x 400 V - 50 Hz

Compressed air requirement:

3 m³/min_8bar
 Use only air approved for food industri.
 acc. Din / ISO 8573-1
 Oil: Class 1 (0,01mg/m³)
 Dirt: Class 1 (0,1mg/m³)
 Water: Class 3 (dew point -20°C)


Water reqirment:

300 l/min_8 bar

Weight of freezer:

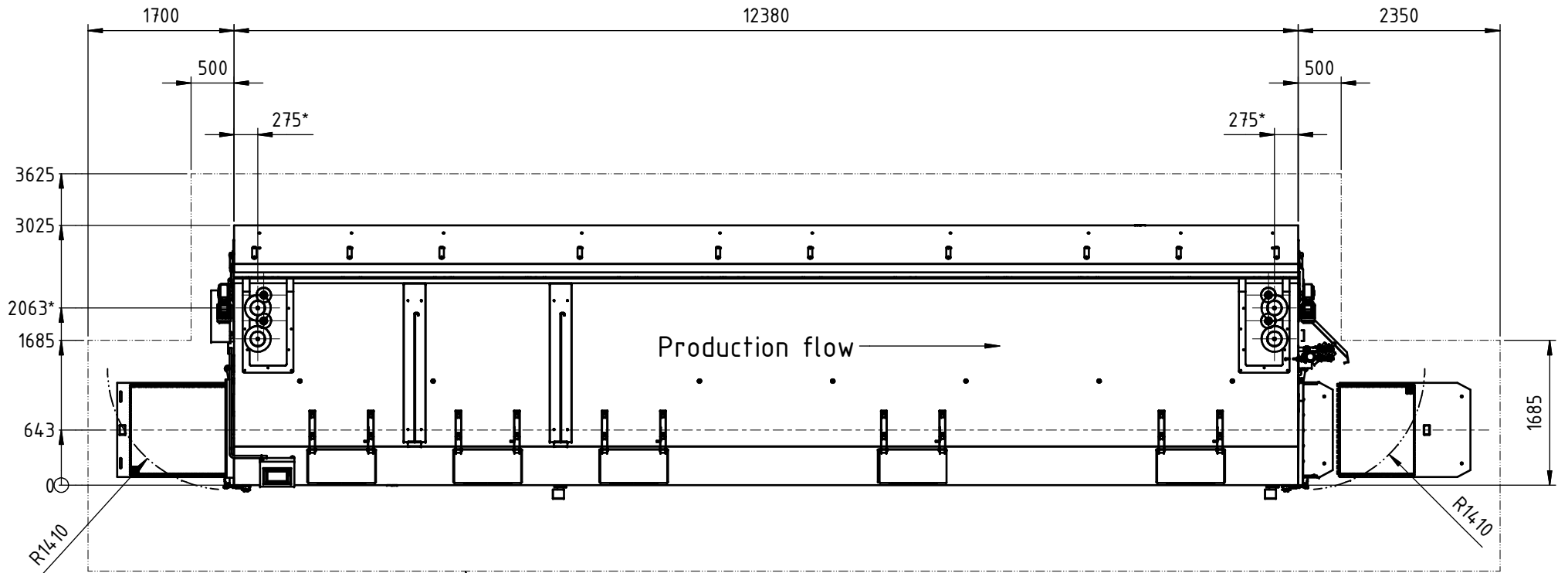
12.850 kg (excl. electrical cabinet +A1, options)

Basic dim	Allowed deviation	
	Length	Class
mm	Fine	Medi.
-3	± 0.05	± 0.1
3-6	± 0.05	± 0.1
6-30	± 0.1	± 0.2
30-120	± 0.15	± 0.3
120-315	± 0.2	± 0.5
315-1000	± 0.3	± 0.8
1000-2000	± 0.5	± 1.2
2000-4000	± 0.8	± 2
4000-8000	-	± 3
Radius and Phase mm	Fine	Medi.
-3	± 0.2	± 0.2
3-6	± 0.5	± 0.5
6-30	± 1	± 1
Angle		
Shortest side mm	Fine	Medi.
-10	± 1	± 1
10-50	± 0.5	± 0.5
50-120	± 0.3	± 0.3
120-	± 0.15	± 0.15

	Note.		Designer JS Drawing no. S7152-01	Date 2014-03-03
	Name. Frutttagel			
IQF Frost	FREEZER 11/2 RH Project 7152			

This drawing is our "IQF Frost AB" property and must not without our permission be copied or made available to others. The receiver is responsible for every misuse.

Top view



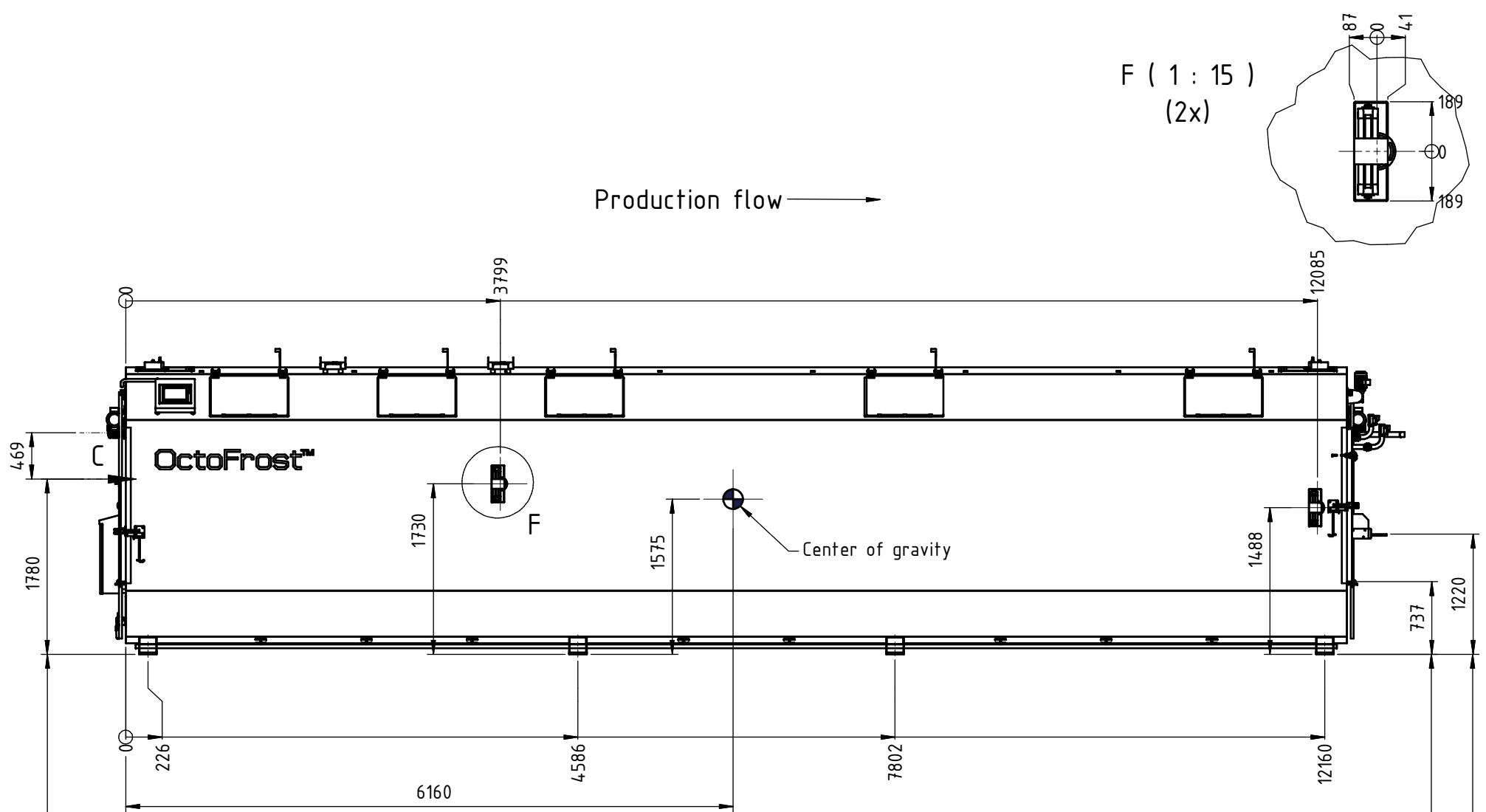
Minimum space requirement for changing bed - wave - pulsator plate, opening side door, lateral door, platform and in feeder.
(Requested space does not include space for stairs to the platform.)

* Dimension can vary

Basic dim.		Allowed deviation	
Length	mm	Class	Fine Medi.
-3		± 0.05	± 0.1
3-6		± 0.05	± 0.1
6-30		± 0.1	± 0.2
30-120		± 0.15	± 0.3
120-315		± 0.2	± 0.5
315-1000		± 0.3	± 0.8
1000-2000		± 0.5	± 1.2
2000-4000		± 0.8	± 2
4000-8000		-	± 3
Radius and Phase mm.		Fine Medi.	
-3		± 0.2	± 0.2
3-6		± 0.5	± 0.5
6-30		± 1	± 1
Angle		Fine Medi.	
Shortest side mm		± 1	± 1
-10		± 0.5	± 0.5
10-50		± 0.3	± 0.3
50-120		± 0.15	± 0.15
120-		± 0.15	± 0.15

	Name: Fruttigel		Designer: JS	Date: 2014-03-03
	IQF Frost Project 7152		FREEZER 11/2 RH S7152-01	

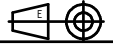
This drawing is our "IQF Frost AB" property and must not without our permission be copied or made available to others. The receiver is responsible for every misuse.



Height of infeed to OctoFrost (1780) (469 = max. opening).
(Height without equipment like infeed shaker, infeed belt, machin feet)

Headroom under outlet door
Height of outfeed from bed plate

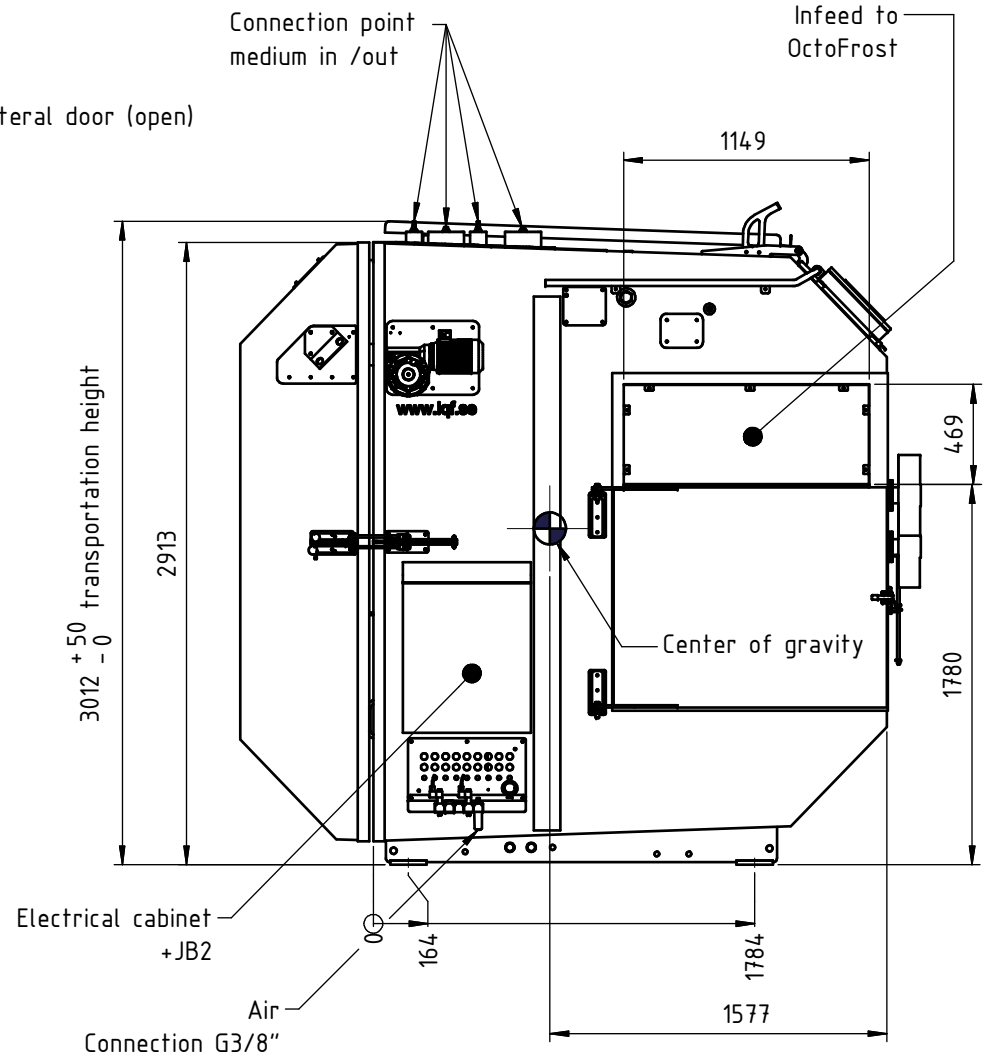
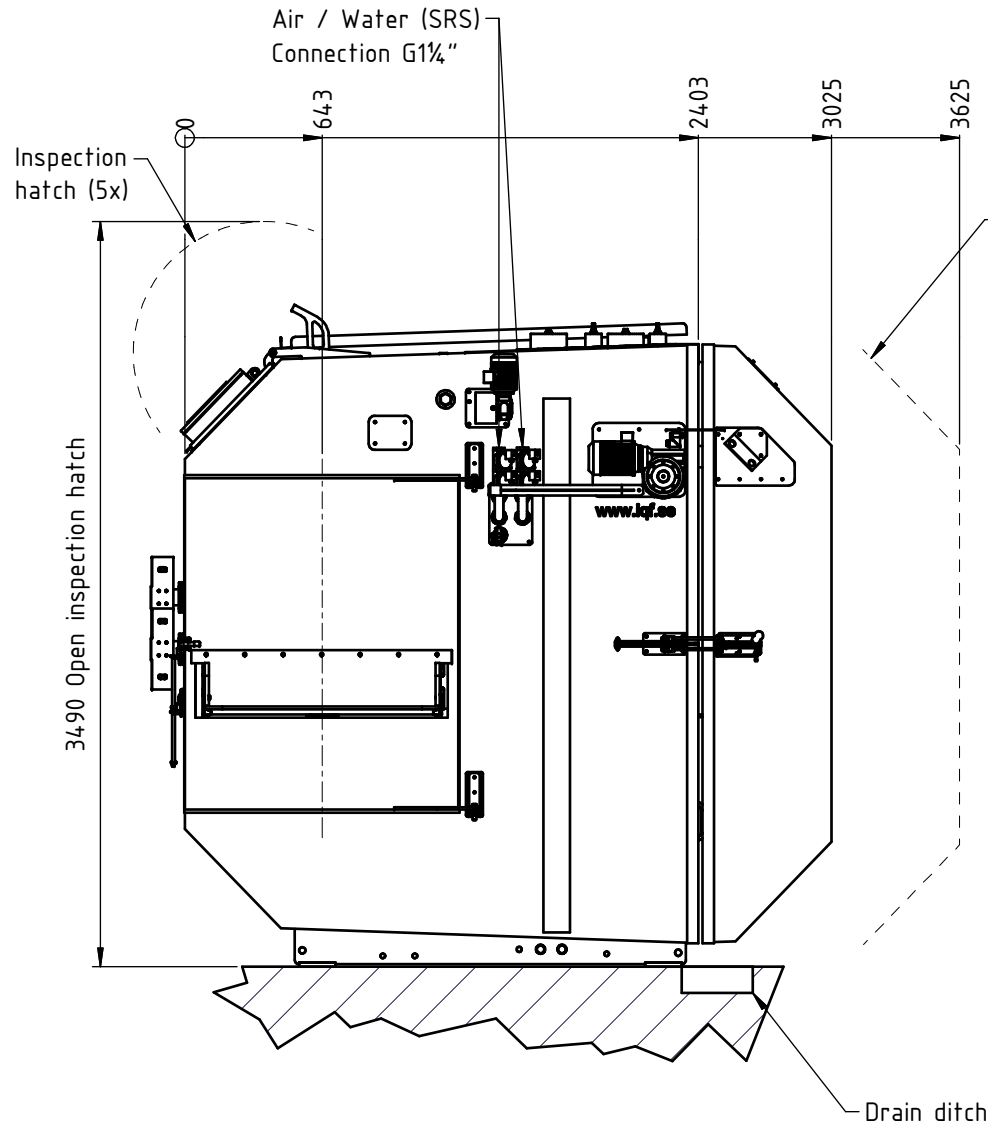
Basic dim.	Allowed deviation	
Length	Class	
mm	Fine	Medi.
-3	± 0.05	± 0.1
3-6	± 0.05	± 0.1
6-30	± 0.1	± 0.2
30-120	± 0.15	± 0.3
120-315	± 0.2	± 0.5
315-1000	± 0.3	± 0.8
1000-2000	± 0.5	± 1.2
2000-4000	± 0.8	± 2
4000-8000	-	± 3
Radius and Phase	mm	Fine Medi.
-3	± 0.2	± 0.2
3-6	± 0.5	± 0.5
6-30	± 1	± 1
Angle		
Shortest side	mm	Fine Medi.
-10	± 1°	± 1°
10-50	± 0.5°	± 0.5°
50-120	± 0.3°	± 0.3°
120-	± 0.15°	± 0.15°

	Name: Frutttagel		Designer: JS	Date: 2014-03-03
	IQF Frost		FREEZER 11/2 RH Project 7152	
			S7152-01	

This drawing is our "IQF Frost AB" property and must not without our permission be copied or made available to others. The receiver is responsible for every misuse.

D (1 : 25)
Outlet

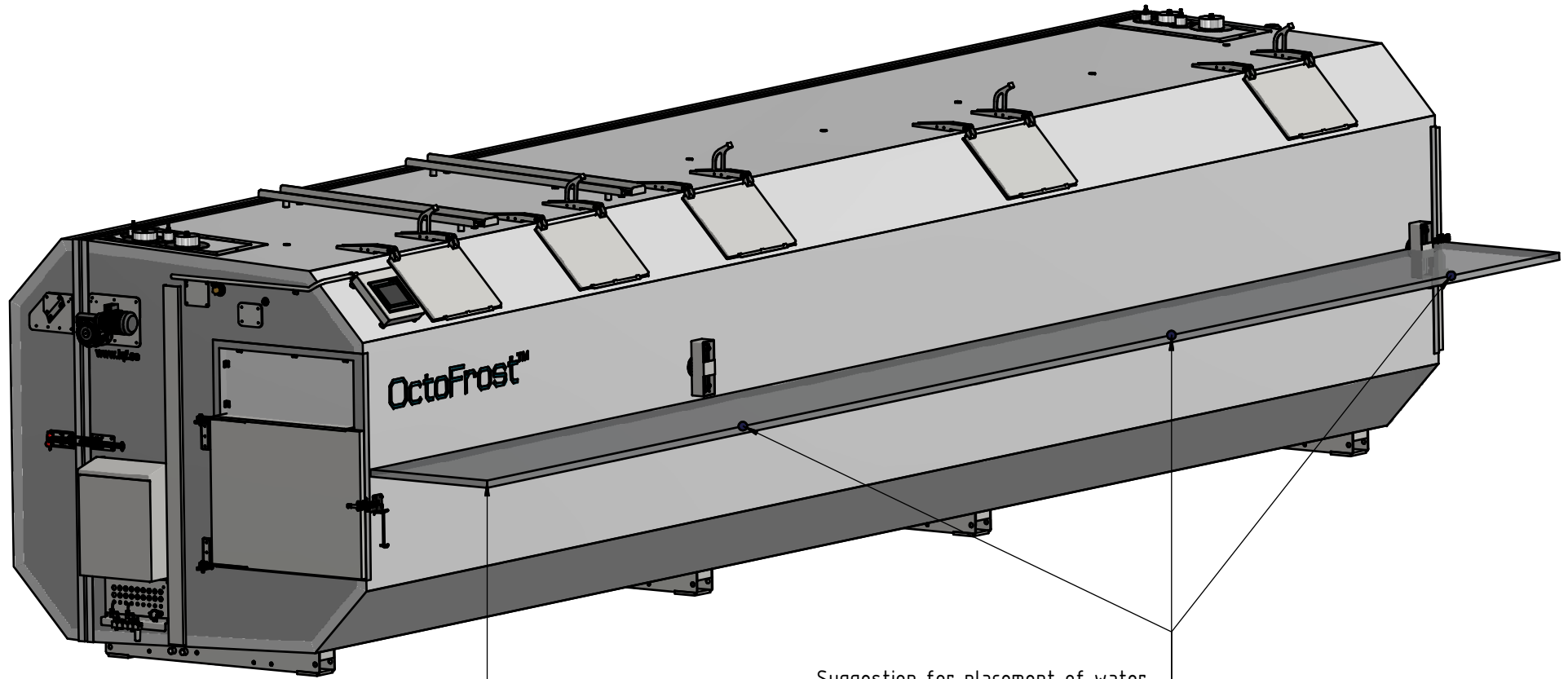
C (1 : 25)
Inlet



Basic dim.		Allowed deviation	
Length	mm	Class	Fine Medi.
-3		± 0.05	± 0.1
3-6		± 0.05	± 0.1
6-30		± 0.1	± 0.2
30-120		± 0.15	± 0.3
120-315		± 0.2	± 0.5
315-1000		± 0.3	± 0.8
1000-2000		± 0.5	± 1.2
2000-4000		± 0.8	± 2
4000-8000		-	± 3
Radius and Phase mm.		Fine Medi.	
-3		± 0.2	± 0.2
3-6		± 0.5	± 0.5
6-30		± 1	± 1
Angle		Fine Medi.	
Shortest side mm.		± T	± T
-10		± 0.5	± 0.5
10-50		± 0.3	± 0.3
50-120		± 0.15	± 0.15

	Note: Fruttigel		Designer	Date
	Name: IQF Frost	FREEZER 11/2 RH Project 7152	JS	2014-03-03
			Drawing no.	S7152-01

This drawing is our "IQF Frost AB" property and must not without our permission be copied or made available to others. The receiver is responsible for every misuse.



Suggestion for placement of water and air recess for cleaning

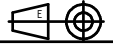
*** Platform**

Recommended height 1500 mm over floor.
(Height "1500 mm" is based on how OctoFrost is supplied at no extra machine feet, etc.)

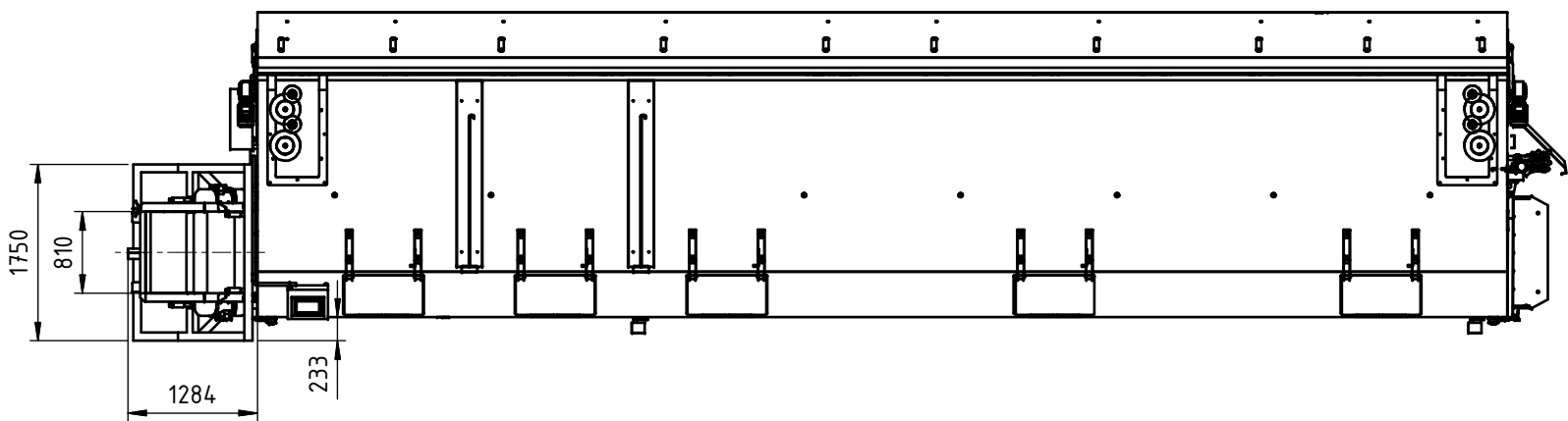
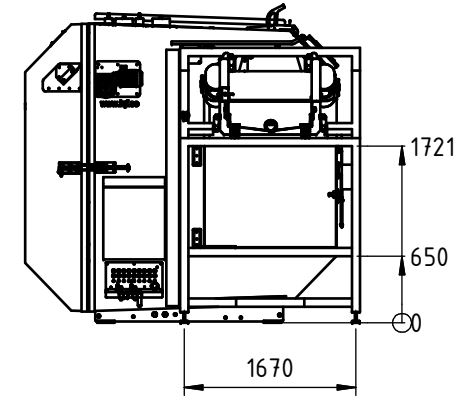
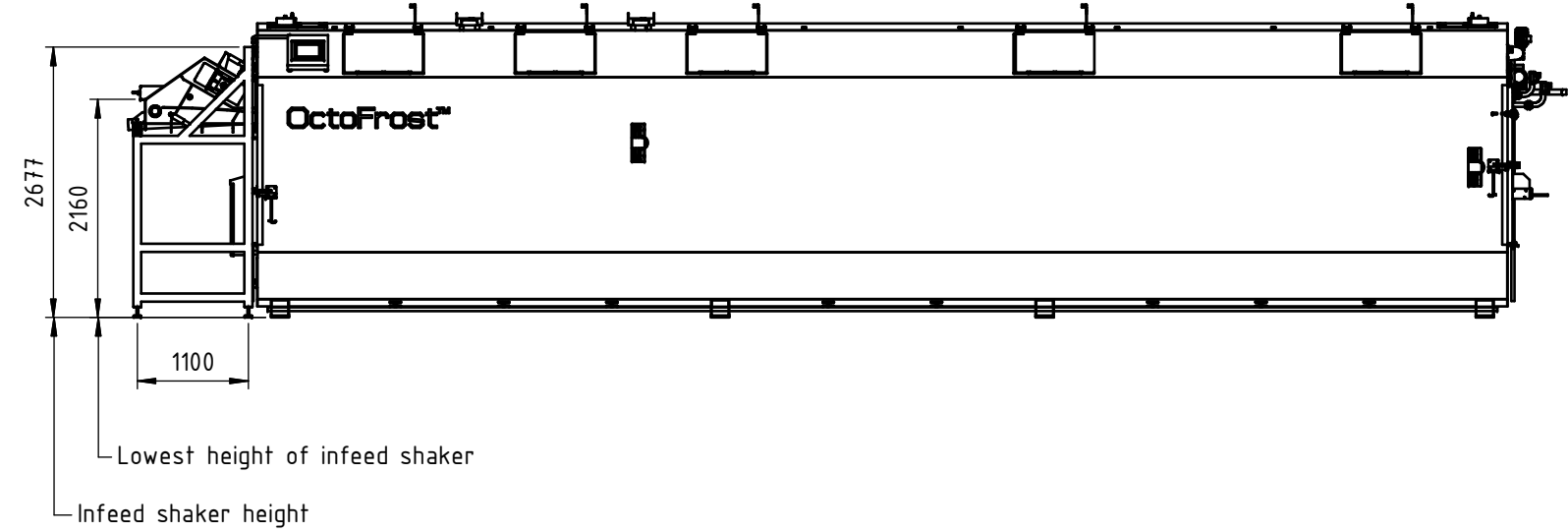
*** Option:**

Platform for supervision and cleaning is NOT included in IQF Frost supply !

Basic dim.	Allowed deviation	
	Class	Fine Medi.
Length mm		
-3	± 0.05	± 0.1
3-6	± 0.05	± 0.1
6-30	± 0.1	± 0.2
30-120	± 0.15	± 0.3
120-315	± 0.2	± 0.5
315-1000	± 0.3	± 0.8
1000-2000	± 0.5	± 1.2
2000-4000	± 0.8	± 2
4000-8000	-	± 3
Radius and Phase mm		
-3	± 0.2	± 0.2
3-6	± 0.5	± 0.5
6-30	± 1	± 1
Angle		
Shortest side mm		
-10	± 1	± 1
10-50	± 0.5	± 0.5
50-120	± 0.3	± 0.3
120-	± 0.15	± 0.15

	Note: Fruttage		Designer	Date
	Name: IQF Frost		JS	2014-03-03
Project 7152		Drawing no. S7152-01		

This drawing is our "IQF Frost AB" property and must not without our permission be copied or made available to others. The receiver is responsible for every misuse.



Basic dim.		Allowed deviation	
Length	mm	Class	Fine Medi.
-3		± 0.05	± 0.1
3-6		± 0.05	± 0.1
6-30		± 0.1	± 0.2
30-120		± 0.15	± 0.3
120-315		± 0.2	± 0.5
315-1000		± 0.3	± 0.8
1000-2000		± 0.5	± 1.2
2000-4000		± 0.8	± 2
4000-8000		-	± 3
Radius and Phase mm		Class	Fine Medi.
-3		± 0.2	± 0.2
3-6		± 0.5	± 0.5
6-30		± 1	± 1
Angle			
Shortest side mm		Class	Fine Medi.
-10		± 1°	± 1°
10-50		± 0.5°	± 0.5°
50-120		± 0.3°	± 0.3°
120-		± 0.15°	± 0.15°

	Name: Fruttigel		Designer: JS	Date: 2014-03-03
	IQF Frost Project 7152		Drawing no.: S7152-01	